

ATMOSPHERIC FOAM STORAGE TANKS

HARDWARE



Features

Foam Concentrate or Pre-mix storage

High density cross-linked polyethylene construction

Level site gauge

Translucent tank appearance

Easy to fill while in operation

Optional horizontal tank configuration (upon request)

Description

SOLBERG® Atmospheric Foam Concentrate Storage Tanks are manufactured of high-density, cross-linked polyethylene in a vertical configuration. Storage tank assemblies are equipped with a suction connection, return connection, drain/fill connection, and domed top. SOLBERG Atmospheric Foam Concentrate Storage Tanks are available in standard sizes or custom built to your specifications up to 10,000 gallons (37,854 litres).

Application

An atmospheric foam concentrate storage tank is a key component in a balanced pressure proportioning system. The storage tank is compatible with all SOLBERG foam concentrates (RE-HEALING™, ARCTIC™, FIRE-BRAKE™). Atmospheric storage tanks are normally used in conjunction with balanced pressure pump proportioning or inline balanced pressure proportioning skid type systems.

Options

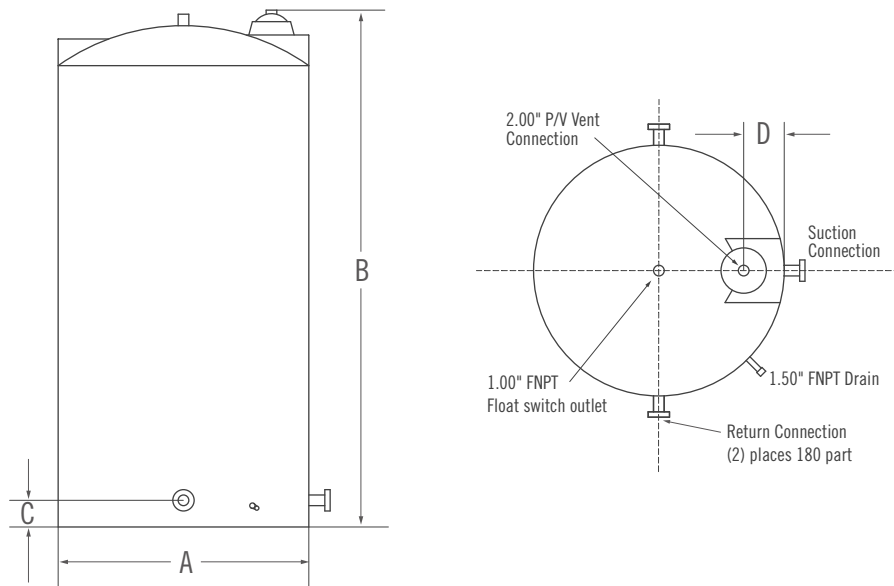
- Flex connectors
- Horizontal tank configuration
- Low liquid level indicator float switch
- Pressure vacuum vent/drain valve
- Seismic restraints
- Carbon steel, stainless steel or fiberglass construction
- Custom built sizes



Solberg is a global company that is a one-stop resource for firefighting foam concentrates and custom-designed foam suppression systems hardware, offering both traditional and innovative firefighting foam technology. www.solbergfoam.com

Dimensional Information

MODEL	Nominal Tank Size gal (l)	Capacity gal (l)	APPROXIMATE DIMENSIONS Inches (Millimeters)				Suction Inlet Diameter	Return Inlet Diameter	Wall Thickness
			A	B	C	D			
23001	100 (379)	106 (401)	23.00 (584)	67.00 (1702)	8.00 (203)	11.50 (292)	2.00 (51) FNPT	1.50 (38) FNPT	0.25 (64)
23002	205 (776)	214 (810)	31.00 (787)	74.00 (1880)	8.00 (203)	15.50 (394)	2.00 (51) FNPT	1.50 (38) FNPT	0.25 (64)
23003	295 (1117)	319 (1208)	46.00 (1168)	53.00 (1346)	8.00 (203)	23.00 (584)	2.00 (51) FNPT	1.50 (38) FNPT	0.25 (64)
23004	475 (1798)	503 (1904)	48.00 (1219)	75.00 (1905)	8.00 (203)	24.00 (610)	2.00 (51) FNPT	1.50 (38) FNPT	0.25 (64)
23005	540 (2044)	565 (2139)	48.00 (1219)	82.00 (2083)	8.00 (203)	17.50 (445)	3.00 (76) Flange	2.00 (38) FNPT	0.25 (64)
23006	805 (3047)	834 (3157)	48.00 (1219)	119.00 (3023)	8.00 (203)	14.00 (356)	3.00 (76) Flange	2.00 (38) FNPT	0.25 (64)
23007	1000 (3785)	1164 (4406)	86.00 (2187)	53.00 (1346)	8.00 (203)	17.50 (445)	3.00 (76) Flange	2.00 (38) FNPT	0.31 (79)
23008	1150 (4353)	1229 (5652)	64.00 (1626)	98.00 (2489)	8.00 (203)	18.00 (457)	3.00 (76) Flange	3.00 (38) Flange	0.31 (79)
23009	1450 (5489)	1611 (6098)	86.00 (2184)	74.00 (1880)	8.00 (203)	16.00 (406)	3.00 (76) Flange	3.00 (38) Flange	0.31 (79)
23010	2250 (8517)	2492 (9433)	96.00 (2438)	93.00 (2362)	8.00 (203)	18.50 (470)	4.00 (102) Flange	3.00 (38) Flange	0.38 (97)
23011	2550 (9653)	2701 (10224)	85.00 (2159)	124.00 (3150)	8.00 (203)	19.00 (483)	4.00 (102) Flange	3.00 (38) Flange	0.38 (97)
23012	3000 (1356)	3173 (12011)	85.00 (2159)	140.00 (3556)	8.00 (203)	19.00 (483)	4.00 (102) Flange	3.00 (38) Flange	0.44 (112)
23013	3900 (14763)	4131 (15638)	94.00 (2388)	153.00 (3886)	10.00 (254)	23.50 (597)	6.00 (152) Flange	4.00 (38) Flange	0.56 (142)
23014	5050 (19116)	5244 (19851)	94.00 (2388)	192.00 (4877)	10.00 (254)	23.00 (584)	6.00 (152) Flange	4.00 (38) Flange	0.75 (191)



Ordering Information**ATMOSPHERIC FOAM STORAGE TANKS**

PART NO.	DESCRIPTION	APPROXIMATE SHIPPING WEIGHT	
		lb	kg
23001	Atmospheric Foam Tank - Poly, Vertical, 100 gallon (379 litre)	45	20
23002	Atmospheric Foam Tank - Poly, Vertical, 205 gallon (776 litre)	60	27
23003	Atmospheric Foam Tank - Poly, Vertical, 295 gallon (1117 litre)	75	34
23004	Atmospheric Foam Tank - Poly, Vertical, 475 gallon (1798 litre)	100	45
23005	Atmospheric Foam Tank - Poly, Vertical, 540 gallon (2044 litre)	120	54
23006	Atmospheric Foam Tank - Poly, Vertical, 805 gallon (3047 litre)	200	91
23007	Atmospheric Foam Tank - Poly, Vertical, 1000 gallon (3785 litre)	230	104
23008	Atmospheric Foam Tank - Poly, Vertical, 1150 gallon (4353 litre)	260	118
23009	Atmospheric Foam Tank - Poly, Vertical, 1450 gallon (5489 litre)	270	122
23010	Atmospheric Foam Tank - Poly, Vertical, 2250 gallon (8515 litre)	450	204
23011	Atmospheric Foam Tank - Poly, Vertical, 2550 gallon (9653 litre)	575	261
23012	Atmospheric Foam Tank - Poly, Vertical, 3000 gallon (11356 litre)	900	408
23013	Atmospheric Foam Tank - Poly, Vertical, 3900 gallon (14763 litre)	1000	454
23014	Atmospheric Foam Tank - Poly, Vertical, 5050 gallon (19116 litre)	1650	748

ACCESSORIES - POLY TANKS

23200	Tank Trim Package, 2.0" (51 mm) Vacuum Vent, 1.5" (38 mm) Drain Valve	25	11
23201	Low Liquid Level Switch, (N.O.)	15	7
23202	Low Liquid Level Switch, (N.C.)	15	7
23203	Flex Connector, 1.5" (38 mm) Flanged	3	1
23204	Flex Connector, 2.0" (51 mm) Flanged	4	2
23205	Flex Connector, 3.0" (76 mm) Flanged	7	3
23206	Flex Connector, 4.0" (102 mm) Flanged	9	5
23207	Flex Connector, 6.0" (152 mm) Flanged	14	6
23208	Mineral Oil Concentrate Sealer, 5 gallon (20 litre) Pail	45	20





SOLBERGFOAM.COM

FORM NUMBER F-2011016

COPYRIGHT © 2013. ALL RIGHTS RESERVED.
SOLBERG® IS A TRADEMARK OF THE SOLBERG COMPANY OR ITS AFFILIATES.

AMERICAS

THE SOLBERG COMPANY
1520 Brookfield Avenue
Green Bay, WI 54313
USA
Tel: +1 920 593 9445

EMEA

SOLBERG SCANDINAVIAN AS
Radøyvegen 721 - Olsvollstranda
N-5938 Sæbøvågen
Norway
Tel: +47 56 34 97 00

ASIA-PACIFIC

SOLBERG ASIA PACIFIC PTY LTD
3 Charles Street
St. Marys NSW 2760
Australia
Tel: +61 2 9673 5300