

CONTINUOUS FLOW HOSE REEL

HARDWARE



Features

Grease zert fittings in both supports

Magna-cast aluminum support

Manual rewind

Multiple hose capabilities

Open side design allows faster hose drying

Single person operation

Tension knob



Description

SOLBERG® Continuous Flow Hose Reel assemblies are manufactured with magna-cast aluminum supports and brass waterway. It also features a 1.5" (38mm) non-collapsible booster hose and brass 90-degree elbow inlet swivel with male 1.5" (38mm) NST outlet. The carbon steel reel was designed to store and deploy continuous flow hose, which allows liquid to flow while the hose is still on the reel.

Application

The hose reel assembly may be used for firefighting and/or wash down. Hose reels may also be installed in areas that require supplemental fire protection.

Specifications

Capacity: 1.5" X 100' hose
(38 mm X 30 m)

Pressure Rating: 200 psi (14 bar)

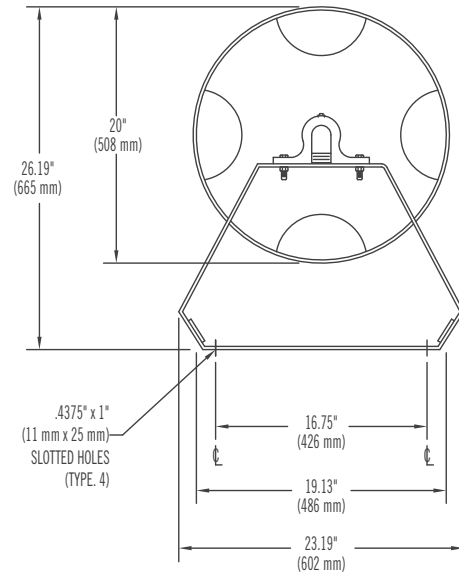
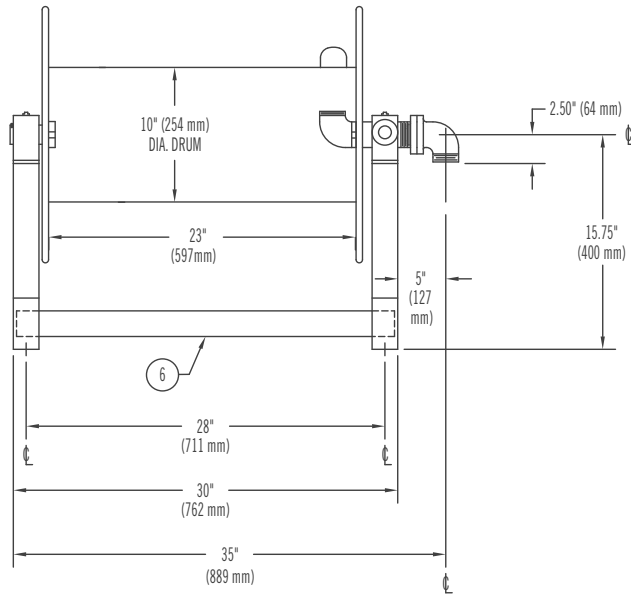
Reel Weight: 90 lb (41 kg)

Options

- Available in stainless steel, galvanized or marine grade aluminum
- Hand crank
- Handline nozzle with multiple flows
- Vinyl cover
- High mounting stand

Solberg is a global company that is a one-stop resource for firefighting foam concentrates and custom-designed foam suppression systems hardware, offering both traditional and innovative firefighting foam technology. www.solbergfoam.com

Dimensional Information



Ordering Information

HOSE REEL STATIONS

PART NO.	DESCRIPTION	APPROXIMATE SHIPPING WEIGHT	
		lb	kg
35310	Continuous Flow Hose Reel, Model SCHR-50, 50' (15 meter) Hose	142	64
35311	Continuous Flow Hose Reel, Model SCHR-75, 75' (23 meter) Hose	165	75
35312	Continuous Flow Hose Reel, Model SCHR-100, 100' (30 meter) Hose	194	88
35313	Continuous Flow Hose Reel, Model SCHR-150, 150' (46 meter) Hose	246	111



AMERICAS

THE SOLBERG COMPANY
 1520 Brookfield Avenue
 Green Bay, WI 54313
 USA
 Tel: +1 920 593 9445

EMEA

SOLBERG SCANDINAVIAN AS
 Radøyvegen 721 - Olsvollstranda
 N-5938 Sæbøvågen
 Norway
 Tel: +47 56 34 97 00

ASIA-PACIFIC

SOLBERG ASIA PACIFIC PTY LTD
 3 Charles Street
 St. Marys NSW 2760
 Australia
 Tel: +61 2 9673 5300