

## MANUAL MONITOR - TFT

# HARDWARE



### Description

The Task Force Tips® PROTECTOR series of manual monitors are ideally suited for high performance fire flows under rugged industrial conditions. The lightweight aluminum alloy is hard coat anodized and powder coated for corrosion protection in even the most hazardous environments. An integrated stainless steel ball shutoff provides visual valve position indicator. Rated flows up to 1250 gpm (4732 l/min).

The PROTECTOR series of monitors remain virtually maintenance free with uniquely integrated polymer wear rings and seals. Stainless components also are integral to the long term rugged durability. The exclusive water way design and internal powder coating provides low loss turbulence free water stream for maximum reach and penetration.

The PROTECTOR series of monitors are matched with TFT's exclusive ZN and ZM fixed flow industrial combination nozzles and provide either a hard hitting

straight stream, or a wide protective fog pattern. Nozzles can be specified with customer required flow and pressure (K-factor) settings and accept low expansion foam attachments designed for maximum reach and foam expansion.

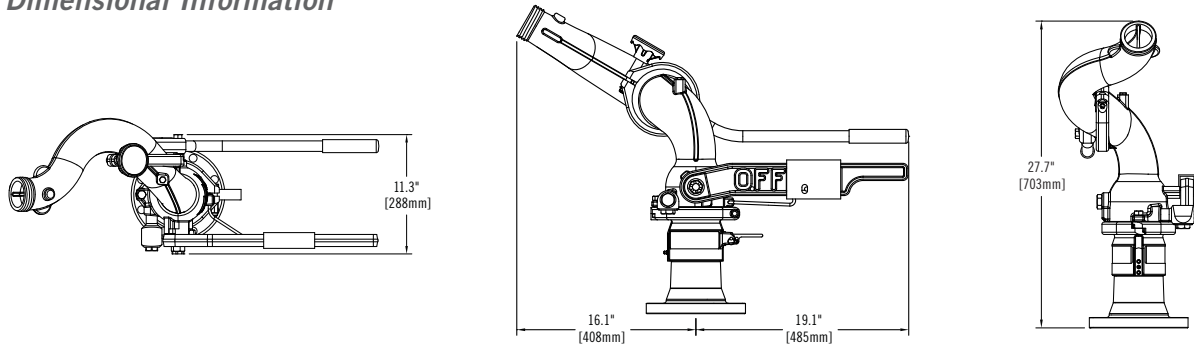


### Specifications

|                               |  |
|-------------------------------|--|
| Monitor Configuration         | Fixed Mount                                  |
| Flow Rate - Monitors          | Flow up to 1250 gpm (4732 l/min)             |
| Operation Energy Source       | Manual                                       |
| Monitor Inlet                 | 3 or 4 inch ANSI 150                         |
| Monitor Outlet                | 2.5 inch (65 mm)                             |
| Horizontal Control            | Tiller Bar with Lever Action Rotational Lock |
| Horizontal Movement (degrees) | Continuous 360                               |
| Vertical Control              | Tiller Bar with Lock Knob                    |
| Vertical Movement (degrees)   | 45 below to 90 above horizontal              |
| Safety Shutoff                | With or Without Safety Shutoff               |
| Pressure Relief Valve         | No PRV                                       |
| Valve Design                  | No Valve                                     |
| Finish                        | Powdercoated Fire Engine Red                 |
| Certifications                | N/A  |
| Sweep Angle (degrees)         | Fixed Center                                 |
| Vertical Oscillation          | N/A  |

*Solberg is a member of THE AMEREX GROUP, an alliance of independent companies with a singular purpose: revolutionize the course of fire suppression technology with safer, more effective, and more sustainable solutions. Together, we are Moving Industries Forward by Redefining Fire Suppression. [www.solbergfoam.com](http://www.solbergfoam.com)*

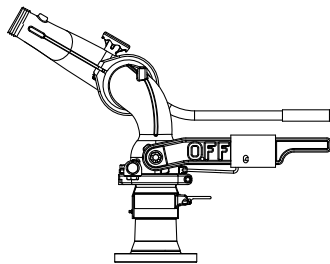
**Dimensional Information**



**INLET SPECIFICATIONS**

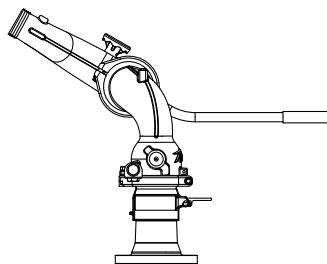
| FITS FLANGE                 | OUTSIDE DIAMETER | THICKNESS     | BOLT HOLE CIRCLE | NUMBER OF BOLTS | SIZE OF BOLTS |
|-----------------------------|------------------|---------------|------------------|-----------------|---------------|
| 3" ANSI 125/150 - DN80 PN20 | 7.50" / 190 mm   | 0.75" / 20 mm | 6.00" / 152.5 mm | 4               | 5/8" / M16    |
| 4" ANSI 150 - DN100 PN20    | 9.00" / 230 mm   | 0.94" / 3 mm  | 7.5" / 90.5 mm   | 8               | 5/8" / M16    |
| DN80 PN16                   | 200 mm           | 22 mm         | 160 mm           | 8               | 16 mm         |
| DN100 PN16                  | 220 mm           | 22 mm         | 180 mm           | 8               | 16 mm         |

**Z11A**



**Valve with Threaded Outlet - PROTECTOR** monitor with on/off valve and 2.5" (65 mm) threaded outlet. 1250 gpm (4732 l/min) rating.

**Z12A**



**No Valve with Threaded Outlet - PROTECTOR** monitor without on/off valve and with 2.5" (65 mm) threaded outlet. 1250 gpm (4732 l/min) rating.

**Z11A / Z12A**

| INLET          | OUTLET                      |
|----------------|-----------------------------|
| 1) 3" ANSI 150 | 1) 2.5" (65 mm) - 7.5 NH    |
| 2) 4" ANSI 150 | 2) 2.5" (65 mm) - 11 BSP    |
| 4) DN80 PN16   | 3) 2.5" (65 mm) - 11.5 NPSH |
| 5) DN100 PN16  | 9) SPECIAL THREADS          |

**Ordering Information**

| MANUAL MONITOR |  | APPROXIMATE SHIPPING WEIGHT |    |
|----------------|--|-----------------------------|----|
| PART NO.       | DESCRIPTION  | lb                          | kg |
| 32200          | Manual Monitor with On/Off Valve, PROTECTOR, 1250 gpm (4732 l/min), 4" inlet mounting flange, 2.5" NH outlet | 35                          | 16 |
| 32201          | Manual Monitor, PROTECTOR, 1250 gpm (4732 l/min), 4" inlet mounting flange, 2.5" NH outlet                   | 35                          | 16 |
| 32205          | Manual Monitor with On/Off Valve, PROTECTOR, 1250 gpm (4732 l/min), 3" inlet mounting flange, 2.5" NH outlet | 35                          | 16 |
| 32206          | Manual Monitor, PROTECTOR, 1250 gpm (4732 l/min), 3" inlet mounting flange, 2.5" NH outlet                   | 35                          | 16 |

SOLBERGFOAM.COM

FORM NUMBER F-2016010-1  
 COPYRIGHT © 2016. ALL RIGHTS RESERVED.  
 SOLBERG IS A TRADEMARK OF THE SOLBERG COMPANY OR ITS AFFILIATES.  
 TASK FORCE TIPS® IS A REGISTERED TRADEMARK OF TASK FORCE TIPS, INC.  
 TFT® IS A REGISTERED TRADEMARK OF TASK FORCE TIPS, INC.

**AMERICAS**  
 THE SOLBERG COMPANY  
 1520 Brookfield Avenue  
 Green Bay, WI 54313  
 USA  
 Tel: +1 920 593 9445

**EMEA**  
 SOLBERG SCANDINAVIAN AS  
 Radøyvegen 721 - Olsvollstranda  
 N-5938 Sæbøvågen  
 Norway  
 Tel: +47 56 34 97 00

**ASIA-PACIFIC**  
 SOLBERG ASIA PACIFIC PTY LTD  
 3 Charles Street  
 St. Marys NSW 2760  
 Australia  
 Tel: +61 2 9673 5300